

Why Use Temperature Transmitters Instead of Direct Wiring?

This point-by-point comparison examines the advantages and consequences

When making temperature measurements, two methods have traditionally been employed to return process readings to a monitoring and control system. The first is to use sensor extension wires to carry the low-level signals (ohm or mV) generated by field-mounted resistance temperature detectors (RTDs) or thermocouple (TC) sensors. The second is to install temperature transmitters at or near the measurement point. The transmitter amplifies and conditions the sensor signal and transmits it over a twisted wire pair back to the control room.

Direct wiring strategies have generally been considered less expensive and sometimes easier. Because of cost considerations, transmitters have often been reserved for control and applications where signal and loop integrity are a must. Today's highly functional microprocessor-based field-mount temperature transmitters, however, are comparable in price to direct wiring strategies. When the additional advantages of using intelligent transmitters are factored in, you can save considerable time and avoid maintenance headaches. This is especially true when the measurement point is located a long distance from the readout and control system.

Following are ways in which temperature transmitters can save you time and money.

Cut Wiring Costs

The direct wiring of thermocouples to a control system requires the use of thermocouple extension wire, which can cost considerably more than the common shielded copper wire used for a temperature transmitter's 4-20mA signal. The savings in wire cost can go a long way toward paying for the temperature transmitter. The longer the wire being run, the greater the potential savings.

In retrofit situations, you may want to switch to transmitters, but are reluctant to do so because you assume that new copper wires must be run to accommodate the 4-20mA. This is not necessarily the case. Temperature transmitters can be installed at the sensor, and the in-place RTD or thermocouple extension wires can be used to transmit the 4-20mA back to the control system. The qualifier is resistance.

Because thermocouple wire has higher resistance than copper wire, you should run the resistance calculation on your extension wire to make sure you do not over-burden the temperature transmitter. If these calculations confirm that you can use the existing field wiring, you will have no additional installation time or material costs. In addition, you will still get all the advantages of using temperature transmitters.

Protect Against Plant Noise

Common in nearly every industrial environment, radio frequency interference (RFI) and electromagnetic interference (EMI) can negatively affect process signals. Before you eliminate RFI and EMI as the possible culprits of erratic signals, you should consider some of their common sources: mobile and stationary radios, TVs, hand-held walkie-talkies, radio-controlled overhead cranes, radar, induction heating systems, static discharge, high-speed power-switching elements, high AC current conductors, large solenoids and relays, transformers, AC and DC motors, welders, and even fluorescent lighting. If you have one or more of these in your plant, you may have an RFI/EMI problem. The result is sometimes just a minor inconvenience, but at other times it can be as serious as a nuisance plant trip.

In a direct wiring scheme, the low-level signals generated by an RTD (ohm) or thermocouple (mV) are particularly susceptible to the signal-degrading effects of RFI/EMI. Compounding the problem, sensor extension wires can behave much like an RFI/EMI antenna by actually drawing plant noise to the wires, affecting weak, low-level signals.

On the other hand, a properly designed temperature transmitter effectively negates the effects of RFI in two ways. If the RFI/EMI is on the temperature sensor, the transmitter's RFI filtering will prevent the noise from propagating to the transmitter's output. If the noise is being picked up on the 4-20mA side of the transmitter, the 4-20mA signal strength will be less distorted by the RFI than would a mV-level signal because the transmitter's output has higher signal-to-noise ratio. When specifying your transmitter, always check for RFI/EMI protection. If there is no specification given, it's usually because the instrument is not designed to resist noise and will probably not perform very well in a noisy plant environment.

Reduce Hardware Costs

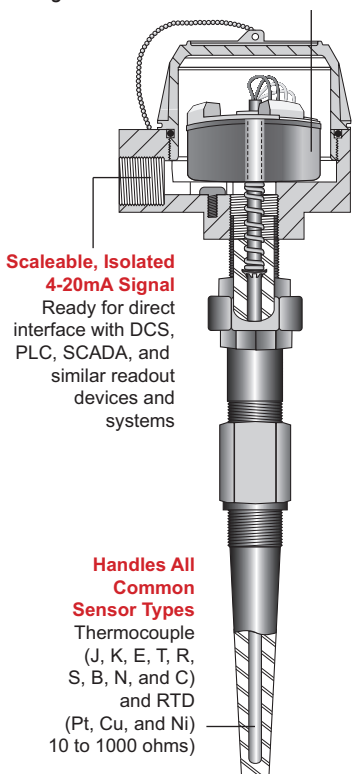
With direct wiring, it is necessary to provide temperature input cards for the distributed control system (DCS) and programmable logic controller (PLC). These cards usually cost more per point than 4-20mA input cards. If you are using temperature transmitters, the lower cost 4-20mA input cards help to pay for the transmitters. Additionally, you are keeping in inventory one less board type and reducing another source of maintenance confusion.

Temperature transmitters usually can handle more sensor types than can a temperature input board for a DCS or PLC. Using a temperature transmitter enables you to select the sensor type that is ideal for the application, unrestricted by the sensor limitations of an input card in a direct-wired scheme. Sensors that are likely acceptable to a temperature transmitter and not to a DCS/PLC input card are four-wire RTDs, 1000 ohm RTDs, and 10 ohm copper RTDs.

With an intelligent temperature transmitter, you can simply change the sensor and reconfigure the transmitter to accommodate the different sensor type. The loop's twisted pair wiring and existing 4-20mA input boards aren't affected. Because you never know which sensor you will end up with, make sure you select a universal transmitter that you can configure to accept all common temperature sensor types and temperature ranges.

Figure 1.
Universal
temperature
transmitters can
be configured
to handle nearly
every temperature
sensor type and
temperature
range.

**Intelligent,
Universal
Temperature
Transmitter**
Programming
is typically
accomplished
using a PC,
hand-held
configurator, or
on-board controls



**Scaleable, Isolated
4-20mA Signal**
Ready for direct
interface with DCS,
PLC, SCADA, and
similar readout
devices and
systems

**Handles All
Common
Sensor Types**
Thermocouple
(J, K, E, T, R,
S, B, N, and C)
and RTD
(Pt, Cu, and Ni)
10 to 1000 ohms)

You gain more application flexibility if you use a temperature transmitter with adequate input/output isolation. Temperature sensors insulated with magnesium oxide (MgO) will eventually go to ground. If the sensor is an RTD, you must discard it and buy a new one, but if it is a TC and you have isolation elsewhere in the measurement loop, the grounded TC still provides a valid temperature measurement. If you place the loop isolation in the transmitter, you gain the flexibility of being able to use non-isolated 4-20mA input cards, which are generally the least expensive input cards. If all your TCs are grounded, no error-causing ground loops can occur when you use isolated temperature transmitters.

Enhance Accuracy and Stability

Using temperature transmitters can substantially enhance measurement accuracy. DCS and PLC systems measure readings over the entire (very wide) range of a sensor. Measuring a narrower range produces far more accurate measurements and transmitters can be calibrated to any range within a sensor's overall capabilities. Their measurements are more precise than is possible with most direct wiring strategies. Some transmitters deliver accuracy ratings of $\pm 0.13^{\circ}\text{C}$ ($\pm 0.23^{\circ}\text{F}$) when paired with a common Pt 100 RTD sensor over a 200 degree span.

If you need even better accuracy, you can trim a universal transmitter to precisely match a particular sensor. Even though sensors are designed to have a high degree of conformance to an established curve, each one—even precision sensors—will vary slightly from its stated specification. By using the temperature transmitters' electronics to match the transmitter to the sensor, called sensor-to-transmitter trimming, you can eliminate this error. The transmitter is connected to the sensor and then immersed in calibration baths maintained at stabilized temperatures. The transmitter then "captures" two readings from the sensor, representing the upper and lower range values, and stores them in nonvolatile memory.

The transmitter uses these values to compensate for deviations between the sensor's stated linearization curve and its actual measurements. When transmitters are paired with a 1,000 ohm RTD, this technique results in the amazing measurement accuracy of up to $\pm 0.014^{\circ}\text{C}$ ($\pm 0.025^{\circ}\text{F}$) over a 100 degree span.

To further enhance measurement accuracy, some transmitters can be trimmed to respond to two data points within the selected zero and span measurement range. This advantage allows a complete range to be monitored, while placing measurement emphasis on a specific segment of the range most critical to the process.

Simplify Engineering

In place of numerous sensor lead-wire and DCS/PLC input board combinations, engineering designs and drawings will need to show only one wire type (twisted wire pair) and one input board type (4-20 mA). This one wire and one input board system means maintenance is greatly simplified and the chances of loop "mis-wiring" are virtually eliminated.

Throughout the lifetime of a process, enhancements are routinely made to accommodate the manufacture of upgraded or even completely new products. Process changes may require different measurement ranges or greater temperature accuracy than was previously required. Either of these conditions may necessitate a change in the type of sensor that is used.

Low Maintenance Expenses

Temperature transmitters have come a long way since the days of fixed-range, inflexible instruments. Some transmitters are not only universal with regard to input type and range, but they also incorporate powerful sensor diagnostics that save considerable time and money.

Temperature transmitters with intelligent diagnostic capabilities help you keep track of sensor operation and quickly find and diagnose sensor Failures. Capable of continually monitoring the sensor, if a wire breaks or otherwise stops sending a signal during operation the transmitter sends the output upscale or downscale to warn of sensor burnout and other unwanted conditions.

Furthermore, the transmitter can tell you which wire has broken via an error message either on an integral digital display or using PC configuration software. Specific fault messages eliminate the work of removing the sensor or checking all the lead wires to diagnose a problem. During startups, in the middle of the night, or in the middle of winter, this can be a huge time-saving advantage.

Figure 2. Sensor extension wires carry low-level (ohm or mV) signals generated by a field-mounted RTD or thermocouple.

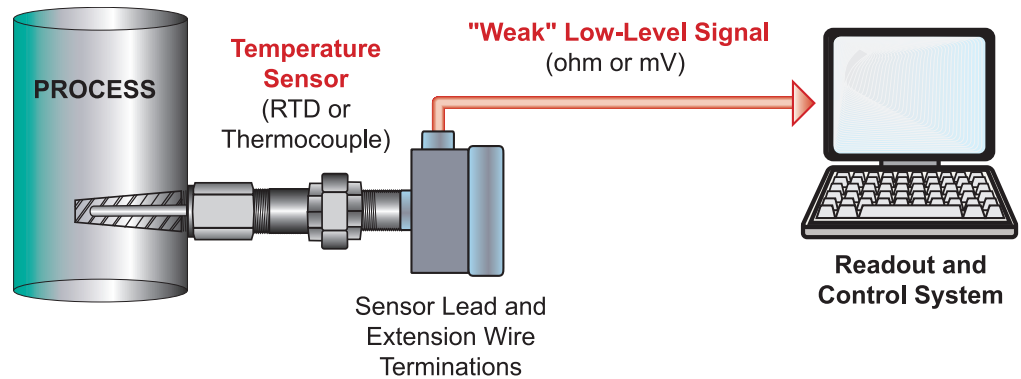
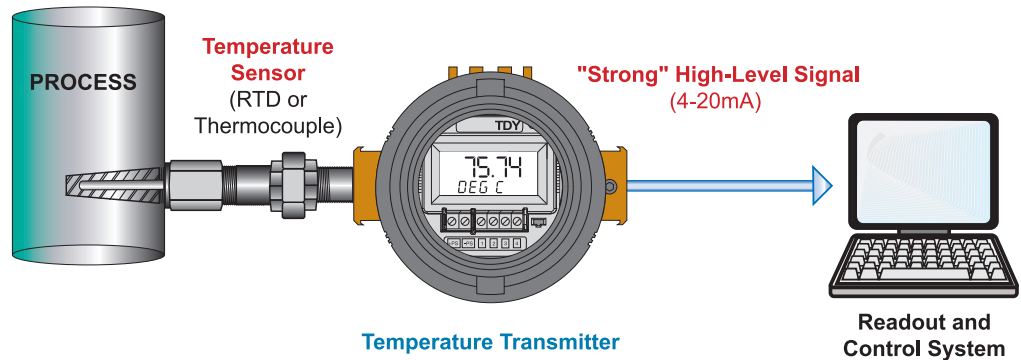


Figure 3. A temperature transmitter amplifies and conditions the primary sensor signal and then carries it over a twisted pair wire to the control room.



Avoid Lead Wire Imbalances

Where feasible, use four-wire RTDs and specify a temperature transmitter that is able to accept a “true” four-wire RTD input. The advantage is that four-wire RTD measuring circuits effectively cancel out errors caused by resistance imbalances in the current-carrying leads. Every ohm of imbalance in the RTD sensor’s lead wires can produce as much as a 2.5°C error in the measurement. Serious imbalances usually occur gradually over time and are caused by corrosion of the lead wire. Occasionally, improper installation techniques also cause resistance imbalances from lead-length differences, wire gage mismatches, loose connections, terminal block corrosion, and work hardening from bending and other stresses.

Intelligent temperature transmitters are capable of accepting “true” four-wire RTD inputs and provide a constant current source to the outer leads of the RTD. The voltage drop is measured across the inner leads, which is a high-impedance loop. Because there is essentially no current now in the voltage loop, voltage is directly proportional to RTD resistance and lead resistance is ignored. You will get a very accurate measurement, providing the resistance value of the RTD—plus corrosion and wire resistance— is less than 2,000 ohms (typically). A four-wire RTD costs about the same as a three-wire one and can be used with less expensive, smaller gauge wire without concern for added resistance.

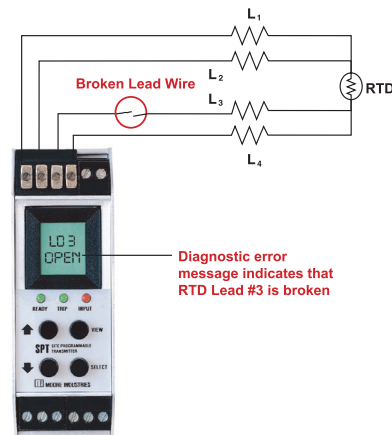


Figure 4. Transmitters with diagnostics can indicate which wire has broken via an error message on the integral digital display.

New Advanced Diagnostics of Temperature Transmitters

Sensor drifting and corrosion are common problems that can cause havoc on temperature loops. Drifting in sensors occurs from a number of different causes including environmental contamination, vibration, and extreme temperature fluctuations, which can lead to false sensor readings. Many newer dual-input temperature transmitters can detect these false readings by monitoring the absolute differential between two sensors (Figure 5).

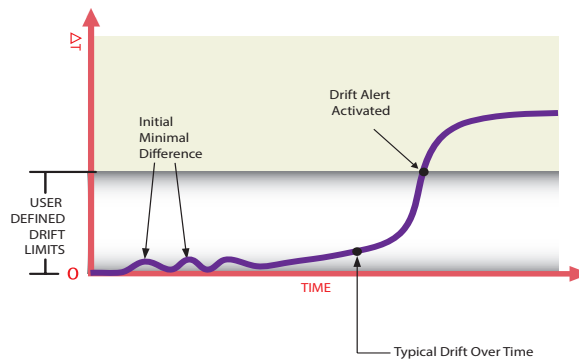


Figure 5. Transmitters with dual-input capability and new advanced diagnostics can detect sensor drifting errors.

Corrosion of sensor connections is primarily caused by oxidation or electrolysis which can lead to inaccurate readings with RTD measurements. Dual input capable smart transmitters that have the ability to measure the change in compensating lead wire resistance over time can alert you to troublesome terminal connections. Additionally, the same measuring technique could be used to monitor the status of T/C circuits. High resistance values in T/C circuits could indicate a potential impending T/C burnout (Figure 6).

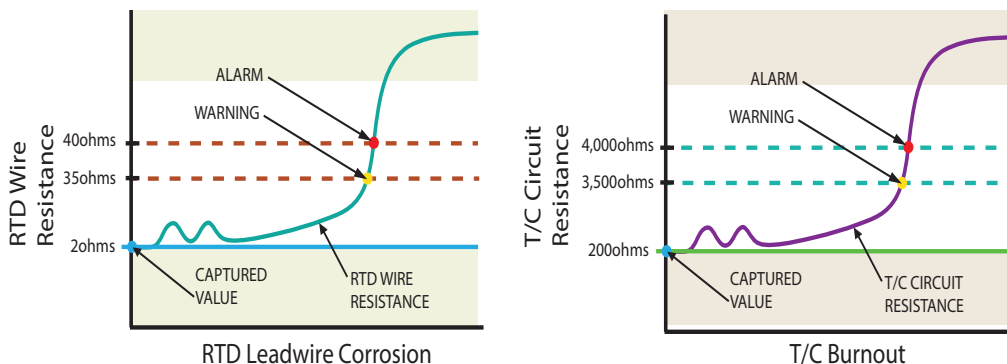


Figure 6. Dual-input smart temperature transmitters can warn of RTD terminal corrosion problems and impending T/C failures.



United States • info@miinet.com
 Tel: (818) 894-7111 • FAX: (818) 891-2816
 Australia • sales@mooreind.com.au
 Tel: (02)8536-7200 • FAX: (02) 9525-7296

Demand Moore Reliability

www.miinet.com

BeNeLux • info@mooreind.eu
 Tel: 03/448.10.18 • FAX: 03/440.17.97

China • sales@mooreind.sh.cn
 Tel: 86-21-62491499 • FAX: 86-21-62490635
 United Kingdom • sales@mooreind.com
 Tel: 01293 514488 • FAX: 01293 536852